

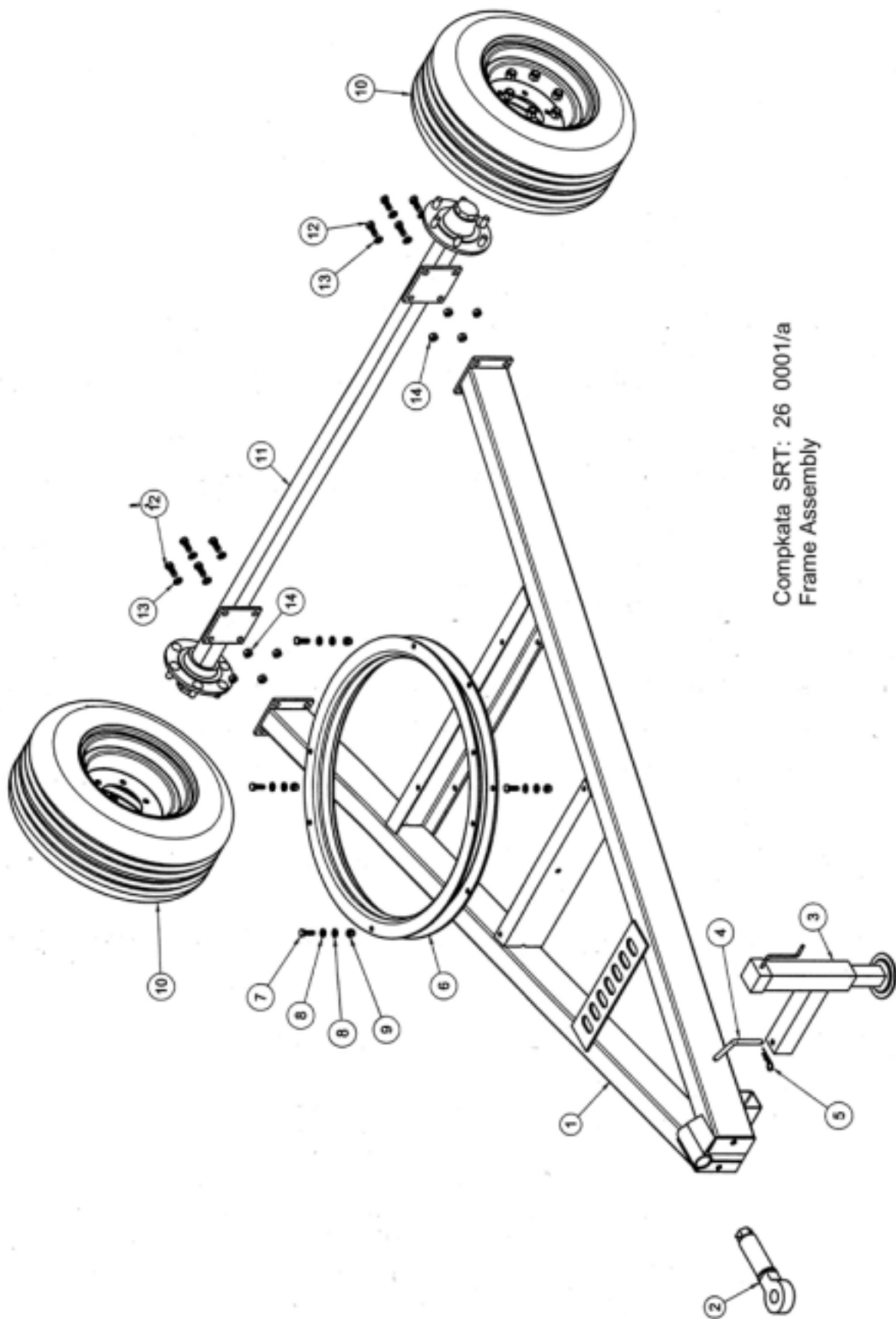
# TUCKASEE IRRIGATION COMPAKTA 26 TRAVELER PARTS BOOK



"When Mother Nature Wont Deliver,  
Tuckasee Will"



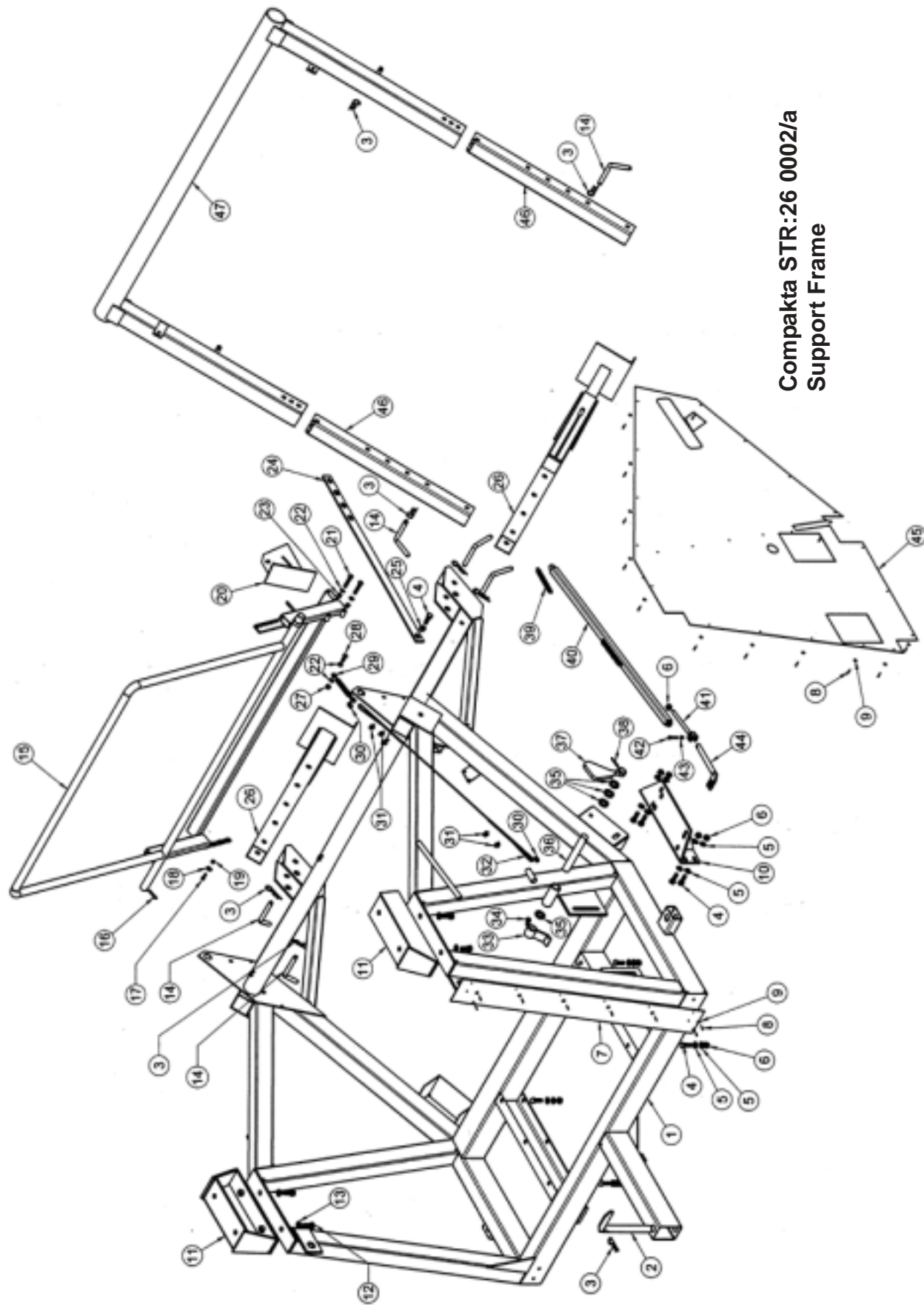
**TUCKASEE IRRIGATION INC**  
**PO BOX 837 300 DAV RD**  
**RUSSELLVILLE KY 42276**  
**PHONE: 800-725-5986**  
**FAX: 270-726-9528**  
**[www.tuckaseeirrigation.com](http://www.tuckaseeirrigation.com)**



Kompkata SRT: 26 0001/a  
Frame Assembly

**COMPAKTA FRAME ASSEMBLY 0001/A**

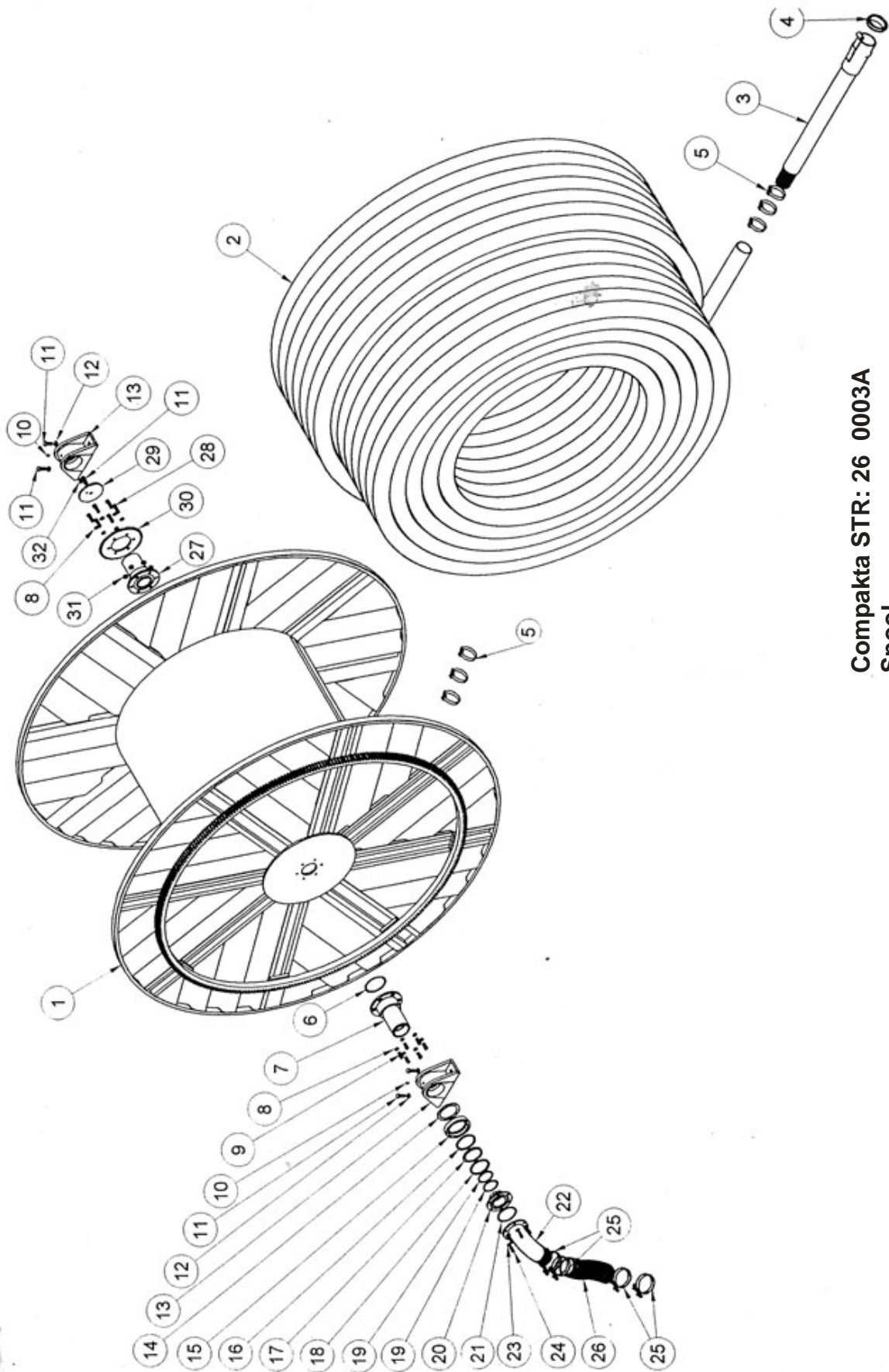
<b>ITEM #</b>	<b>QTY</b>	<b>PART #</b>	<b>DESCRIPTION</b>	<b>DIMENSIONS</b>
1	1	IP31-K-501	FRAME 26	
2	1	IPS-081-18	PINTLE HITCH	
3	1	IP01-M-85/A	FRONT JACK	
4	1	IP09-C-39/A	PIN	5/8 X4 1/2
5	1	IPU-090-040	HITCH PIN	5/32X2-15/16
6	1	IP01-M-104/A	TURNTABLE ASSEMBLY	
7	4	IPU-100-14040	BOLT	14MM X 40MM
8	8	IPU-084-142825	FLAT WASHER	14MM
9	4	IPU-026-14	LOCKING NUT	14MM
10	2	IPU-176-019	TIRE ASSEMBLY	P235/75R15
10a	2		WHEEL ASSEMBLY	15" 6-HOLE
11	1	IP31-K-502	AXLE ASSEMBLY	
12	8	IPU-100-16040	BOLT	16MM X 40MM
13	8	IPU-084-163030	FLAT WASHER	16MM
14	8	IPU-001-16	LOCKING NUT	16MM



Compakta STR:26 0002/a  
Support Frame

**COMPAKTA SPOOL HOLDER 0002/A**

<b>ITEM #</b>	<b>QTY</b>	<b>PART #</b>	<b>DESCRIPTION</b>	<b>DIMENSIONS</b>
1	1	IP32-K-501/G	FRAME FOR SPOOL HOLDER	
2	1	IP29-C-512	TURNTABLE LOCKING PIN	10" X 1-1/4
3	8	IPU-090-040	HITCH PIN	5/32 X 2-15/16
4	8	IPU-100-14040	BOLT	14MM X 40MM
5	16	IPU-084-142825	FLAT WASHER	14MM
6	9	IPU-001-14	NUT	14MM
7	1	IP39-K-06/A	RUBBER GUARD	
8	18	IPU-193-3809	RIVET	
9	18	IPU-084-041215	FLAT WASHER	4MM
10	1	IP19-C 512	GEARBOX MOUNTING PLATE	
11	2	IP38-K-501/A	SPACER BLOCK FOR SPOOL BEARING	
12	4	IPU-100-16040	LOCKING BOLT	16MM X 40MM
13	4	IPU-084-163030	FLAT WASHER	16MM
14	6	IP09-C-39/A	PIN	5/8 X4 1/2
15	1	IP34-K-501/C	SHUT OFF BAR ASSEMBLY	
16	2	IPU-069-08050	ROLL PIN	8MM X 50MM
17	1	IPU-100-08025	BOLT	8MM X25MM
18	1	IPU-084-082420	FLAT WASHER	8MM
19	1	IPU-001-08	NUT	8MM
20	1	IP14-K-502	DISENGAGE PLATE FOR SHUT OFF BAR	
21	2	IPU-100-10060	BOLT	10MM X 60MM
22	4	IPU-084-102120	FLAT WASHER	10MM
23	2	IPU-001-10	LOCKING NUT	10MM
24	1	IP19-C-46/A	LOCKING BAR FOR GUN CART LIFT	
25	1	IPU-026-14	LOCKING NUT	14MM
26R	2	IP01-M-135/A	SPOOL FRAME STABILIZER	
26L			SPOOL FRAME STABILIZER	
27	1	IPU-026-10	LOCKING NUT	10MM
28	1	IPU-100-10030	BOLT	10MM X 30MM
29	1	IPU-118-08	DOUBLE EYE TURNBUCKLE	5/16 X18
30	2	IPU-117-05	GALVANIZED PIECE FOR CABLE	
31	4	IPU-115-008	CLAMP FOR CABLE	
32	1	IPS-062-007	CABLE	
33	1	IP09-C-502/A	STOP, ANTI-REVERSE LEVER COMPAKTA	
34	1	IPU-100-12030	LOCKING BOLT	12MM X 30MM
35	4	IP09-C-65/A	WASHER	
36	1	IP09-C-03	SHAFT	
37	1	IP09-C-02/B	COUNTERWEIGHT	
38	1	IPU-069-06050	ROLL PIN	6MM X 50MM
39	1	IP01-M-73/A	SPRING	6" X 3/4"
40	1	IP38-K-505/A	DISENGAGE ROD TO GEARBOX	
41	1	IP19-C-502	ADJUSTABLE PIN FOR GEARBOX SHUT OFF	
42	1	IPU-100-08040	BOLT	8MM X 40MM
43	1	IPU-026-08	LOCKING NUT	8MM
44	1	IP19-K-501	ROD FOR GEARBOX SHUT OFF	
45	1	IPS-092-029	SIDE GUARD	
46	2	IP16-K-01/A	TUBING FOR GUN CART LIFT	
47	1	IP26-C-502	GUN CART LIFTING ARM	

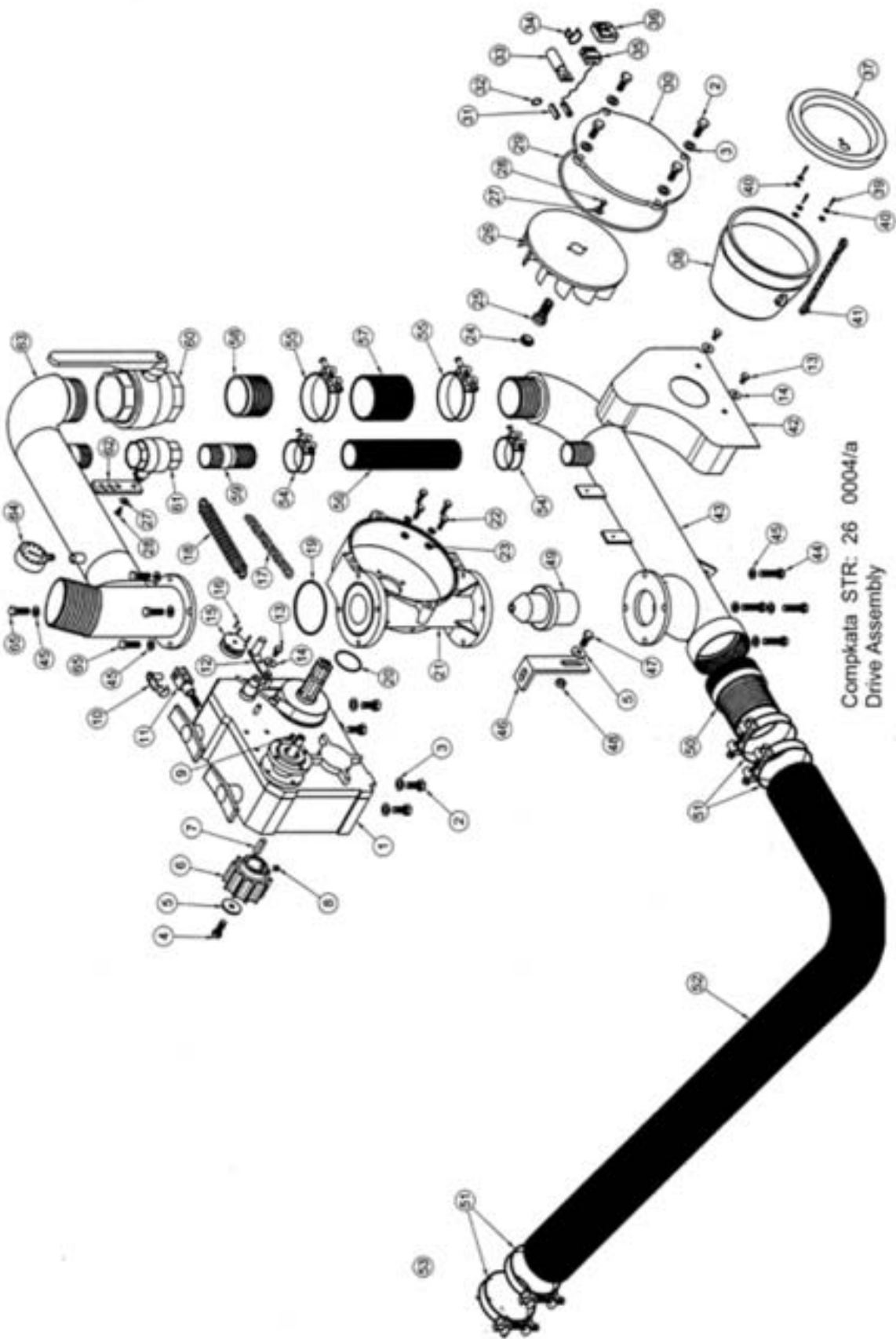


Compakta STR: 26 0003A  
Spool



**COMPAKTA SPOOL 0003**

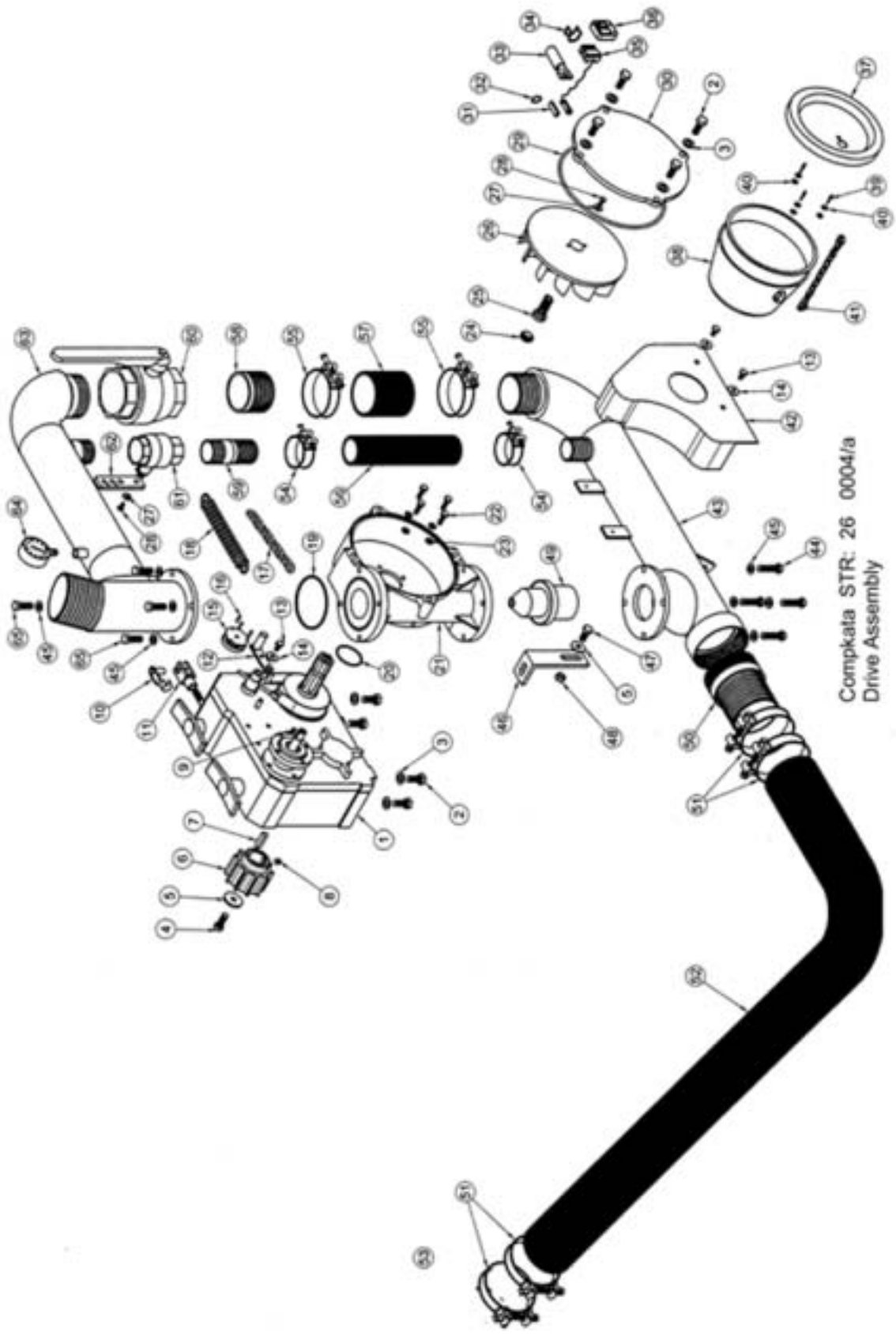
<b>ITEM #</b>	<b>QTY</b>	<b>PART #</b>	<b>DESCRIPTION</b>	<b>DIMENSIONS</b>
1	1	IP30-C-609	SPOOL	
	2	3.3 X 1475	POLYETHLENE TUBE	3.3 X 1475
	2	3.7 X 1150	POLYETHLENE TUBE	3.7 X 1150
	2	3.7 X 1312	POLYETHLENE TUBE	3.7 X 1312
3	1	IP029	HOSE TO GUN CART PIPE	100MM
3	1	IP028	HOSE TO GUN CART PIPE	110MM
4	1	IPS-024-003	GASKET FOR GUN CART	100MM
5	6	IPS-181-099	HOSE CLAMP, PUNCHLOCK CLAMP	5/8
6	1	IPU-175-12342353	GASKET SEAL	123.42 INSIDE
7	1	IP01-M-12/A	FLANGED SLEEVE FOR SUPPLY SIDE	
8	12	IPU-084-122425	FLAT WASHER	12MM
9	6	IPU-038-12030	BOLT	12MM X 30MM
10	2	IPU-094-03	GREASE FITTING	
11	5	IPU-100-16040	LOCKING BOLT	16MM X40MM
12	4	IPU-084-163030	FLAT WASHER	16MM
13	2	IP01-F-09	BEARING SUPPORT	
14	1	IP01-M-182	HARDENED RING	
15	1	IP01-M-110	RING	
16	1	IP01-M-116	PISTON NYLON RING	
17	1	IPU-058-110	SNAP RING EXTERNAL	
18	1	IP01-M-184	WELDING RING	
19	2	IPU-175-08532353	O-RING	
20	1	IP01-M-113/A	NYLON FLANGED SLEEVE W/O-RING GROOVE	
21	1	IPU-175-11072353	O-RING	
22	1	IP33-K-503/A	SUPPLY ELBOW	
23	6	IPU-084-082420	FLAT WASHER	8MM
24	6	IPU-100-08035	BOLT	8MM X 35MM
25	2	IPU-182-104115	HOSE CLAMP	104-115
26	1	IP33-K-19	TURBINE TO ELBOW HOSE	
27	1	IP01-M-15/A	FLANGED SLEEVE	
28	6	IPU-100-12030	BOLT	12MM X 30MM
29	1	IP01-M-46/A	END DISC	
30	1	IP01-M-170	SPROCKET	51t X 5/8 DIA 125
31	6	IPU-001-14	NUT	14MM
32	1	IPU-069-08030	ROLL PIN	8MM X 30MM





**COMPKATA DRIVE ASSEMBLY 0004/A**

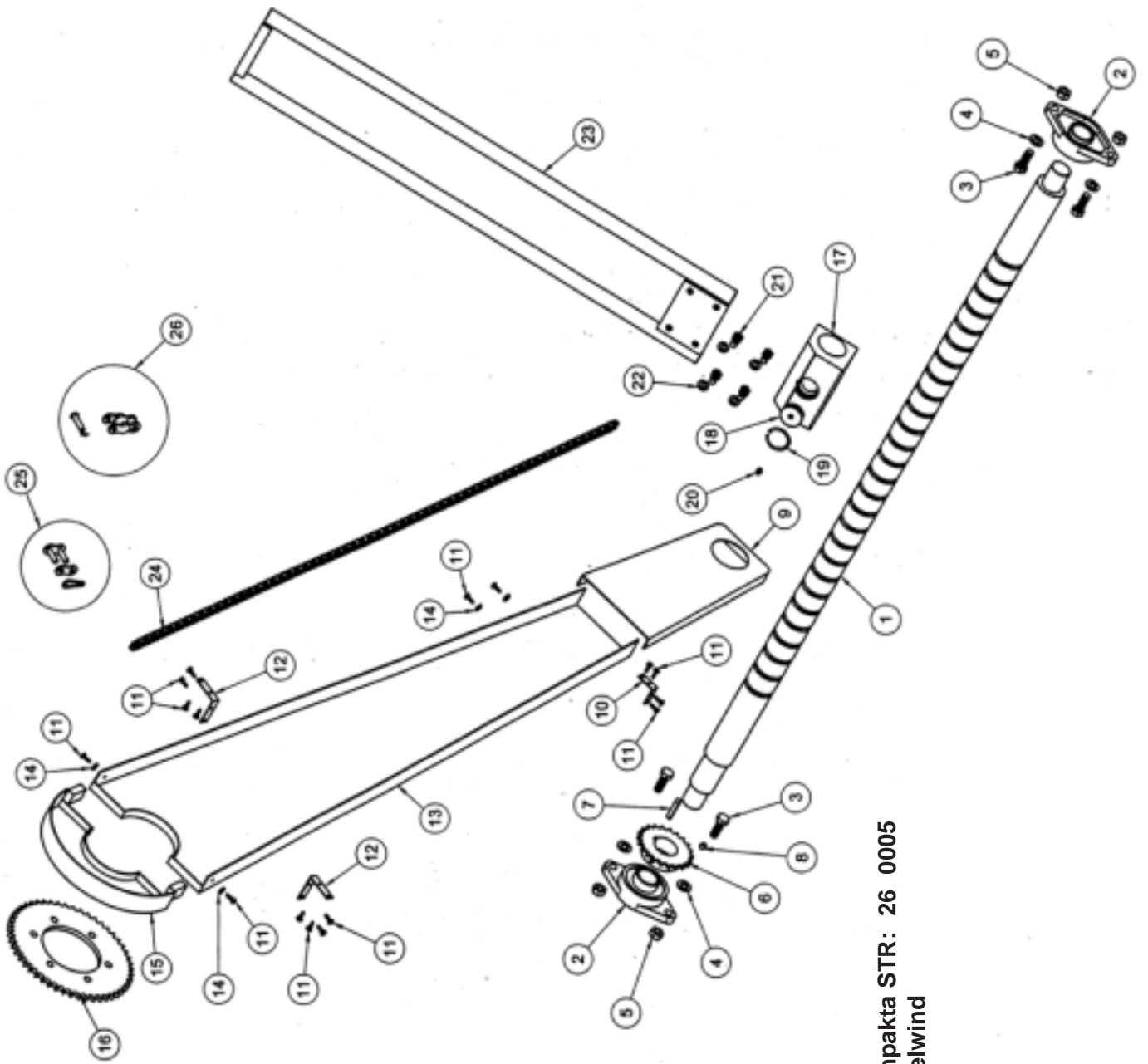
<b>ITEM #</b>	<b>QTY</b>	<b>PART #</b>	<b>DESCRIPTION</b>	<b>DIMENSIONS</b>
1	1	IPS-094-002	GEARBOX G110	
2	8	IPU-100-12030	LOCKING BOLT	12MM X 30MM
3	8	IPU-084-122425	FLAT WASHER	12MM
4	1	IPU-100-10030	BOLT	10MM X 30MM
5	2	IPU-084-104040	FLAT WASHER	10MM
6	1	IP01-M-206	PINION GEAR	
7	1	IPU-088-1040	KEY	10MM X 80MM X 40MM
8	1	IPU-044-10010	SET SCREW	10MM
9	1	IPU-088-0515	KEY	5MM X 5MM X 15MM
10	1	IPU-078-1255	CLIP PIN	
11	1	IPU-077-1224	FORK	
12	1	IP09-C-503B	SUPPORT	
13	3	IPU-100-08014	BOLT	8MM X 14MM
14	3	IPU-084-082420	FLAT WASHER	8MM
15	1	IP01-M-207	DISC	
16	1	IPS-126-001	MAGNET	
17	1	IP18-K-26	CHAIN	
18	1	IP01-M-75	SPRING	
19	2	IPU-175-10119353	O-RING	100MM X 3.50MM
20	1	IPU-175-05525262	O-RING	55MM X 61MM
21	1	IP01-F-02	TURBINE HOUSING 22	
22	4	IPU-100-08025	BOLT	8MM X 25MM
23	4	IPU-119-08	FLAT WASHER	8MM
24	1	IPU-185-012-E013	COMPLETE TURBINE SEAL	
25	1		ITEM 25 IS PART OF ITEM 24	
26	1	IP01-F-03/B	IMPELLER	IPU43
27	2	IPU-084-061820	FLAT WASHER	6MM
28	2	IPU-100-06012	BOLT	6MM X 12MM
29	1	IPU-175-22797534	O-RING	
30	1	IP01-M-190	TURBINE CAP	
31	1	IPS-087-004	PLATE	
32	1	IPS-087-006	O-RING	
33	1	IP09-C-16	METERCOUNTER BRACKET	
34	1	IPS-087-007	O-RING	
35	1	IPS-087-005	METERCOUNTER CABLE	
36	1	IPS-087-008	METERCOUNTER	
37	1	IPU-212-003	PTO COVER CAP	
38	1	IPU-212-002	PTO COVER	
39	3	IPU-193-3809	RIVET	
40	3	IPU-084-041215	FLAT WASHER	4MM
41	1	IPU-212-004	CHAIN	9" LONG
42	1	IPS-092-015	PTO GUARD	
43	1	IP33-K-506	BOTTOM TURBINE SUPPLY	
44	4	IPU-100-10045	BOLT	10MM X 45MM
45	8	IPU-084-102120	FLAT WASHER	10MM
46	1	IP33-K-14	BRACKET	
47	1	IPU-100-10025	BOLT	10MM X 25MM
48	1	IPU-001-10	LOCKING NUT	10MM
49	1	IP01-M-118	TURBINE NOZZLE	28MM



Compkata STR: 26 0004/a  
 Drive Assembly

## COMPAKTA DRIVE ASSEMBLY 0004/A

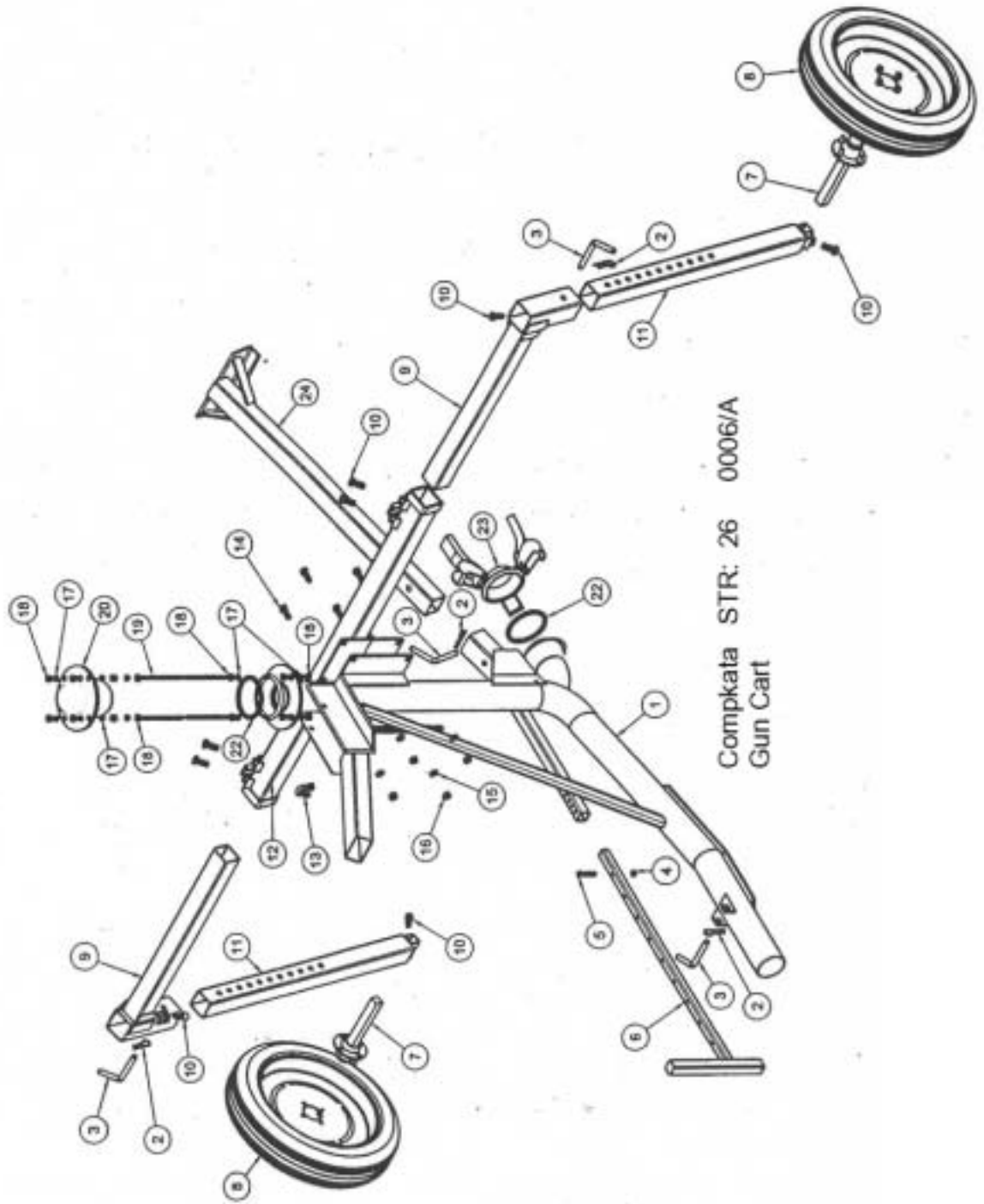
ITEM#	QTY	PART #	DESCRIPTION	DIMENSIONS
50	1	IP43-C-508	THREADED HOSE BEAD	3"BPTX80MM
51	4	IPU-182-104115	CLAMP	104-115
52	1	IPH100	INLET HOSE	100MM (4")
53	1	AF14	MALE BAND AND HOOK	4" 100MM
54	2	IPU-182-052057	CLAMP	52-57
55	2	IPU-182-086095	CLAMP	3-3/8" 86-95
56	1	IP33-K-17	BY PASS HOSE	1 1/2"X12" 38-41
57	1	IP33-K-18	BY PASS HOSE	3-3/8" X 5" 86-95
58	1	IP13-K-505	THREADED HOSE BEAD	3" BPT X 80MM HB
59	1	IP03-C-503/A	THREADED HOSE BEAD	1 1/2" BPT X 1 1/2"HB
60	1	IPS-177-006	BALL VALVE	3" BPT
61	1	IPS-177-004	BALL VALVE	1 1/2" BPT
62	1	IP39-C-01/A	HANDLE FOR 1 1/2" BALL VALVE	
63	1	IP33-K-505	TOP TURBINE OUTLET TUBE	
64	1	30514	PRESSURE GAUGE	IPS-063-002/200PSI
65	4	IPU-100-10035	BOLT	10MM X 35MM



Compakta STR: 26 0005  
Levelwind

## COMPAKTA LEVEL WIND 0005

ITEM #	QTY	PART #	DESCRIPTION	DIMENSIONS
1	1	IP01-M-04/C	HOSE GUIDE SCREW	60MM X 68 3/8"
2	2	IPU-184-002	HOSE GUIDE SCREW BEARING	40 MM ID FL-208
3	4	IPU-100-14040	BOLT	14MM X 40MM
4	4	IPU-084-142825	FLAT WASHER	14MM
5	4	IPU-001-14	NUT	14MM
6	1	IP01-M-61	SPROCKET	22T 5/8 PITCH 50MM
7	1	IPU-088-1050	KEY	10MM X 8MM X 50MM
8	1	IPU-044-08010	SET SCREW	8MM
9	1	IPS-092-042	BOTTOM OF CHAIN GUARD	
10	1	IPS-102-002	BRACKET	
11	16	IPU-054-4219	BOLT	4.2MM X 19MM
12	2	IPS-102-004	BRACKET	
13	1	IPS-092-006	CHAIN GUARD	
14	4	IPU-084-051516	FLAT WASHER	5MM
15	1	IPS-092-005	TOP CHAIN GUARD	
16	1	IP01-M-70	SPROCKET	45T 5/8 PITCH 125MM
17	1	IP01-M-10/A	HOSE GUIDE BLOCK	
18	1	IP01-M-16	INSERT, LEVELWIND SCREW COMPAKTA	
19	1	IPU-060-045	SNAP RING	45MM
20	1	IPU-094-03	GREASE FITTING	
21	4	IPU-100-10025	BOLT	10MM X 25MM
22	4	IPU-084-102120	FLAT WASHER	10MM
23	1	IP38-K-502	HOSE GUIDE	K26
24	1	IPU-194-002	ROLLER CHAIN	08B1 RIVETED
25	1	IPU-195-004	MASTER LINK	08B CONNECTING LINK
26	1	IPU-196-003	HALF LINK	08B OFFSET LINK

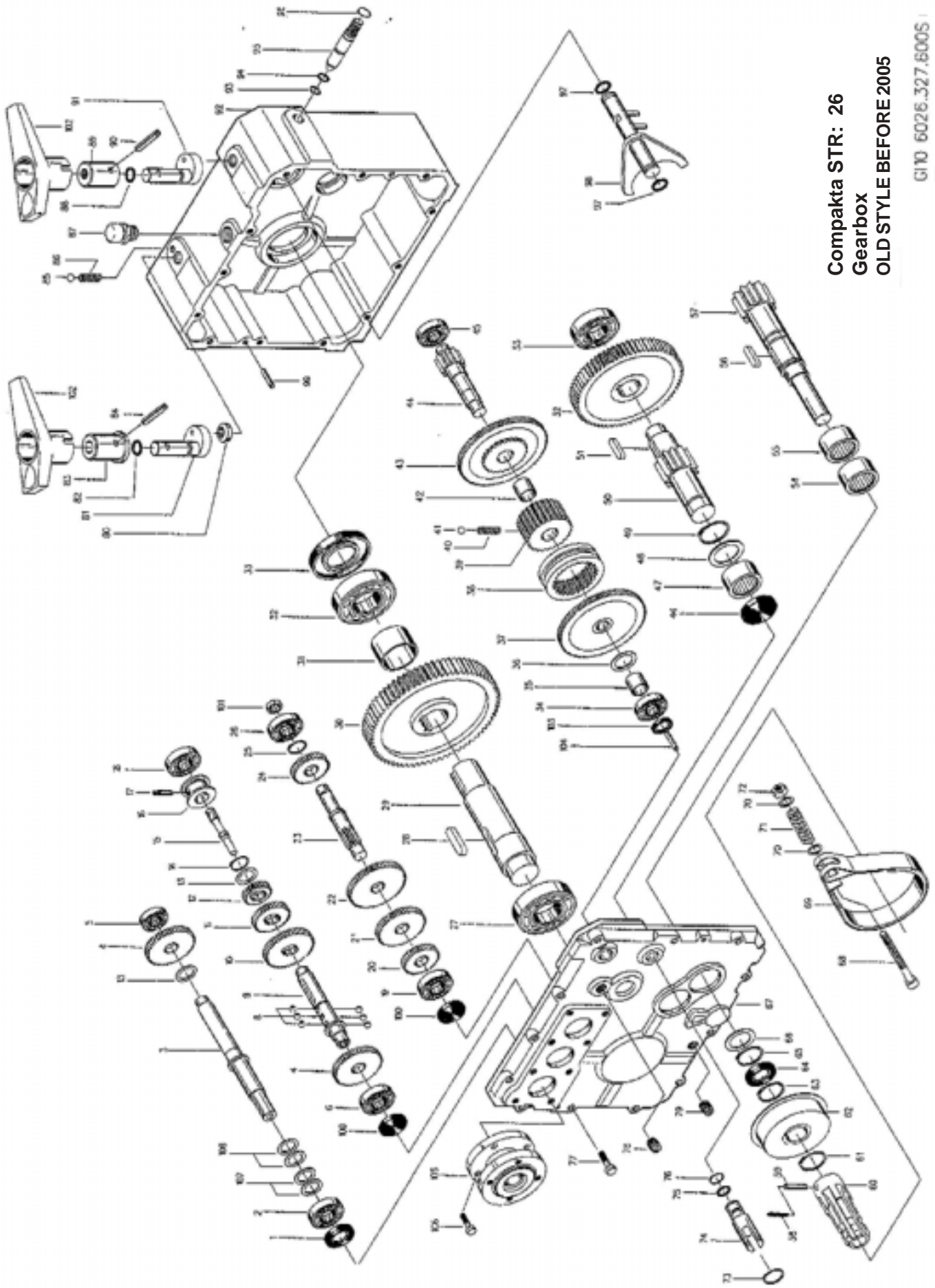


Kompakta STR: 26 0006/A  
Gun Cart



### COMPAKTA GUN CART 0006

ITEM #	QTY	PART #	DESCRIPTION	DIMENSIONS
1	1	IP00-24-508/C	GUN CART TUBE	
2	4	IPU-090-040	HITCH PIN	5/32 X 2-15/16
3	4	IP09-C-39/A	PIN	5/8 X 4 1/2
4	1	IPU-001-10	LOCKING NUT	10MM
5	1	IPU-100-10060	BOLT	10MM X 60MM
6	1	IP00-24-507/A	SHUT OFF TEE FOR GUN CART	
7	2	IPS-088-005	SPINDLE & HUB ASSEMBLE	
8	2	IPU-176-009	TIRE & WHEEL ASSEMBLY	T125/900 X 16
9	2	IP00-24-502/A	HORIZONTAL ADJUSTING ARM FOR GUN CART	
10	8	IPU-100-16040	LOCKING BOLT	16MM X 40MM
11	2	IP00-24-501/B	VERTICAL LEG	
12	1	IP00-33-503/A	HORIZONTAL SUPPORT TUBE	
13	1	IPU-116-10	CLEVIS	10MM
14	4	IPU-100-14040	BOLT	14MM X 40MM
15	4	IPU-084-142825	FLAT WASHER	14MM
16	4	IPU-001-14	NUT	14MM
17	8	IP00-10-03/A	CUP WASHER	
18	16	IPU-001-12	NUT	12MM
19	4	IPU-191-012MDB	THREADED CHASED BARREL	12MM
20	1	IP00-10-508/C	ADAPTER FOR GUN	
21	1		SPRINKLER	
22	2	IPS-006-003	RUBBER O-RING GASKET	100MM
23	1	IPS-011-003	END CAP FOR COMPAKTA GUN CART	
24	1	IP00-23-504	GUN CART PULL OUT BAR	



Compakta STR: 26  
 Gearbox  
 OLD STYLE BEFORE 2005

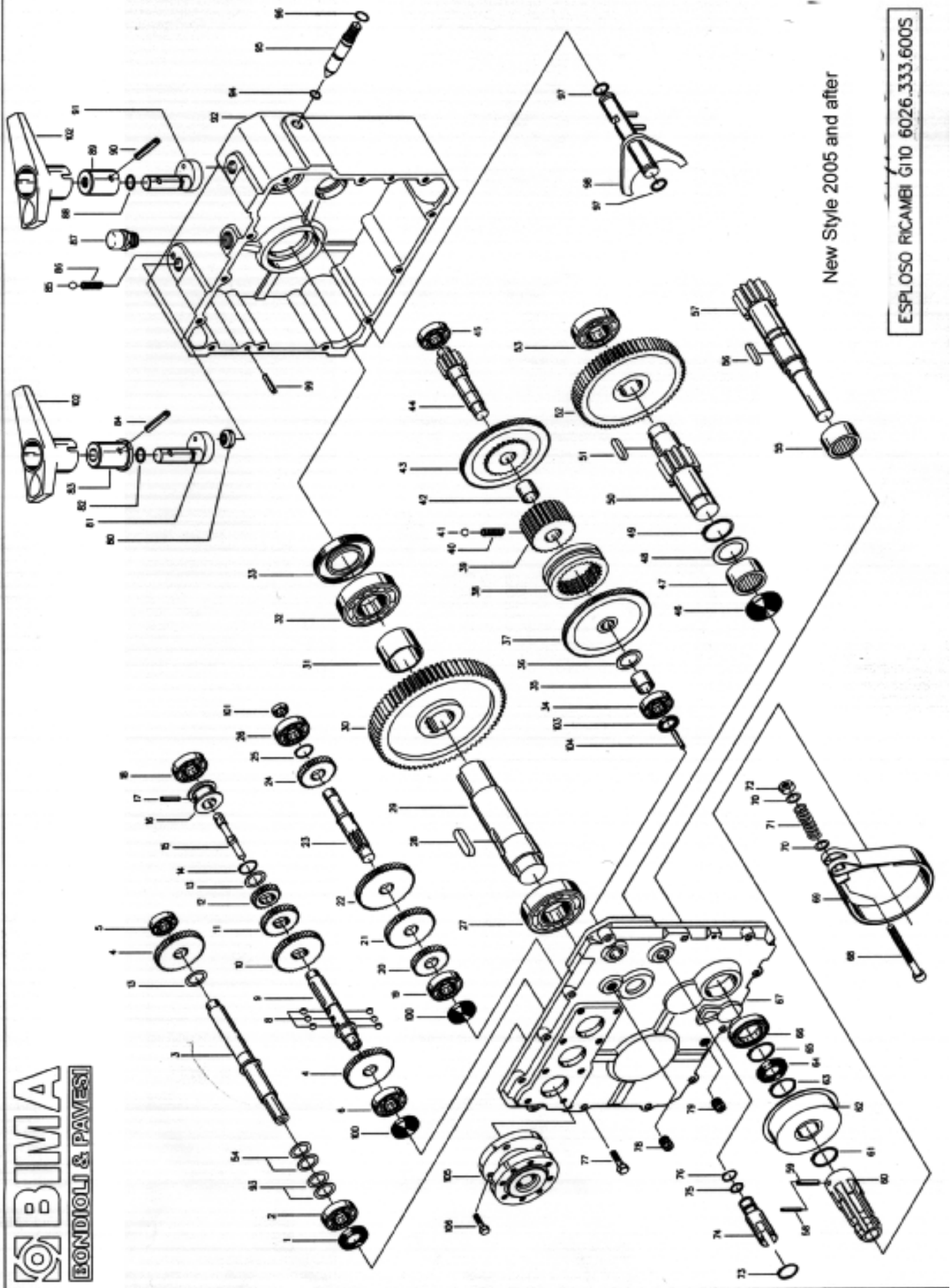
GI10 6026.327.6005

OLD STYLE 2005 AND BEFORE

G 10 6026.327.600S

G 10 6026.327.600S

REF.#	CODE#	QTY	DESCRIPTION	DIMENSIONS	REF.#	CODE#	QTY	DESCRIPTION	DIMENSIONS
1	8050.100.000	1	OIL SEAL	20x35x6	55	8200.208.200	1	BEARING	HK3020
2	8200.164.000	1	BEARING	6004	56	8125.306.000	1	KEY	10x8x30
3	2008.126.543	1	SHAFT		57	2008.010.542	1	SHAFT	
4	2007.038.442	1	GEAR		58	8575.160.000	1	PIN	3.5x40 UN16874
5	8200.136.000	1	BEARING	6202	59	8575.291.000	1	PIN	6x40 UN 6874
6	8200.128.000	1	BEARING	6302	60	2008.055.041	1	SLEEVE	
7	2008.126.676	1	SLEVE		61	8025.302.000	1	SNAP RING	D30 E
8	8525.152.000	6	BALL	7/32"	62	2008.013.001	1	HUB	
9	2008.097.542	1	SHAFT		63	8025.302.000	1	SNAP RING	D30 E
10	2026.003.442	1	GEAR		64	8050.256.000	1	OIL SEAL	30x40x7
11	2026.002.442	1	GEAR		65	8025.302.000	1	SNAP RING	D30 E
12	2026.001.442	1	GEAR		66	8550.366.000	1	SLEEVE	
13	8550.280.000	1	SLEEVE		67	2008.129.201	1	COVER	
14	8025.185.000	1	SNAP RING	D18 E	68	8675.213.000	1	SCREW	M8x90 UN15931
15	2008.096.042	1	SELECTOR		69	2008.012.098	1	BRAKE	
16	2008.043.076	1	HUB		70	8500.189.000	2	WASHER	D8 UN 6592
17	8575.229.000	1	PIN	5x24 UN6873	71	8375.200.000	1	SPRING	
18	8200.136.000	1	BEARING	6202	72	8225.251.000	1	NUT	M8 DIN982
19	8200.128.000	1	BEARING	6302	73	8025.209.000	1	SNAP RING	D20 E
20	2027.004.442	1	GEAR		74	2008.052.048	1	PIN	
21	2027.005.442	1	GEAR		75	8075.115.000	1	OIL SEAL	OR 3043
22	2027.006.442	1	GEAR		76	8025.162.000	1	SNAP RING	D16 E
23	2008.073.542	1	SHAFT		77	8675.189.080	12	SCREW	M8x30 UN15739
24	2008.070.442	1	GEAR		78	8625.136.000	1	OIL PLUG	3/8" GAS
25	8025.151.000	1	SNAP RING	D15 E	79	8600.144.000	1	OIL PLUG	3/8" GAS
26	8200.136.000	1	BEARING	6202	80	2008.116.044	1	PAD	625
27	8200.240.000	1	BEARING	6207	81	2008.041.098	1	LEVER	
28	8125.362.001	2	KEY	12x8x30	82	8075.115.000	1	OIL SEAL	OR 3043
29	2008.007.542	1	SHAFT		83	2008.040.041	1	HUB	
30	2008.038.426	1	GEAR		84	8575.291.000	1	PIN	6x40 UN 6874
31	2008.048.676	1	SLEEVE		85	8525.200.000	1	BALL	5/16"
32	8200.264.000	1	BEARING	6208	86	8375.160.000	1	SPRING	
33	8050.448.000	1	OIL SEAL	40x62x10	87	8600.184.000	1	OIL PLUG	1/2" GAS
34	8200.128.000	1	BEARING	6302	88	8075.115.000	1	OIL SEAL	OR 3043
35	8100.222.000	1	SLEEVE	18x20x15	89	2022.007.042	1	HUB	
36	8550.233.000	1	SLEEVE		90	8575.291.000	1	PIN	6x40 Uni 6874
37	2008.068.426	1	GEAR		91	2008.041.098	1	LEVER	
38	2008.039.076	1	HUB		92	2008.001.101	1	HOUSING	
39	2008.032.042	1	HUB		93	8001.139.000	1	SNAP RING	D14E UN 7433
40	8375.080.000	1	SPRING		94	8075.100.000	1	OIL SEAL	OR109
41	8525.152.000	1	BALL	7/32"	95	2008.046.041	1	PIN	
42	8550.280.000	1	SLEEVE	20x23x15	96	8025.139.000	1	SNAP RING	D14E DIN471
43	2008.069.426	1	GEAR		97	8075.054.000	2	OIL SEAL	2056
44	2008.015.542	1	SHAFT		98	2008.011.098	1	LEVER	
45	8200.164.000	1	BEARING	6004	99	8575.275.000	2	PIN	5x20 UN 1707
46	8600.438.000	1	OIL PLUG	RCA 40	100	8600.390.000	2	OIL PLUG	RCA 35x8
47	8200.208.000	1	BEARING	HK3012	101	8600.210.000	1	OIL PLUG	D22
48	8550.366.000	1	SLEEVE		102	2022.005.032	2	LEVER	
49	8025.302.000	1	SNAP RING	D30 E	103	8050.008.000	1	OIL SEAL	8x22x7
50	2008.016.542	1	SHAFT		104	8575.394.000	1	PIN	8x40
51	8125.300.000	1	KEY	10x8x25	105	2008.127.341	1	EXTENSION	
52	2008.033.426	1	GEAR		106	8675.186.100	4	SCREW	M8x20 UN157
53	8200.192.000	1	BEARING	6205	107	8550.295.000	2	SLEEVE	20x28x0.5
54	8200.208.000	1	BEARING	HK 3012	108	8550.300.000	2	SLEEVE	20x35x1



New Style 2005 and after

ESPLOSO RICAMBI GI10 6026.333.600S

NEWSTYLE 2005 AND AFTER

GI 10 6026.333.600S

GI 10 6026.333.600S

REF.#	CODE#	QTY	DESCRIPTION	DIMENSIONS	REF.#	CODE#	QTY	DESCRIPTION	DIMENSIONS
1	8050.100.000	1	OIL SEAL	20x35x6	55	8200.208.200	1	BEARING	HK3020
2	8200.164.000	1	BEARING	6004	56	8125.306.000	1	KEY	10x8x30
3	2008.126.543	1	SHAFT		57	2008.118.542	1	SHAFT	
4	2007.038.442	1	GEAR		58	8575.160.000	1	PIN	3.5x40 UN6874
5	8200.136.000	1	BEARING	6202	59	8575.291.000	1	PIN	6x40 UN 6874
6	8200.128.000	1	BEARING	6302	60	2008.055.041	1	SLEEVE	
7	2008.126.676	1	SLEVE		61	8025.302.000	1	SNAPRING	D30 E
8	8525.152.000	6	BALL	7/32'	62	2008.013.001	1	HUB	
9	2008.097.542	1	SHAFT		63	8025.302.000	1	SNAPRING	D30 E
10	2026.003.442	1	GEAR		64	8050.256.000	1	OIL SEAL	30x40x7
11	2026.002.442	1	GEAR		65	8025.302.000	1	SNAPRING	D30 E
12	2026.001.442	1	GEAR		66	8200.216.000	1	BEARING	6206
13	8550.280.000	1	SLEEVE		67	2008.119.201	1	COVER	
14	8025.185.000	1	SNAPRING	D18 E	68	8675.213.000	1	SCREW	M8x90 UN5931
15	2008.096.042	1	SELECTOR		69	2008.012.098	1	BRAKE	
16	2008.043.076	1	HUB		70	8500.189.000	2	WASHER	D8 UN 6592
17	8575.229.000	1	PIN	5x24 UN6873	71	8375.200.000	1	SPRING	
18	8200.136.000	1	BEARING	6202	72	8225.251.000	1	NUT	M8 DIN982
19	8200.128.000	1	BEARING	6302	73	8025.209.000	1	SNAPRING	D20 E
20	2027.004.442	1	GEAR		74	2008.120.048	1	PIN	
21	2027.005.442	1	GEAR		75	8075.115.000	1	OIL SEAL	OR 3043
22	2027.006.442	1	GEAR		76	8025.162.000	1	SNAPRING	D16 E
23	2008.073.542	1	SHAFT		77	8675.189.080	12	SCREW	M8x30 UN5739
24	2008.070.442	1	GEAR		78	8625.136.000	1	OIL PLUG	3/8" GAS
25	8025.151.000	1	SNAPRING	D15 E	79	8600.144.000	1	OIL PLUG	3/8" GAS
26	8200.136.000	1	BEARING	6202	80	2008.116.044	1	PAD	625
27	8200.240.000	1	BEARING	6207	81	2008.041.098	1	LEVER	
28	8125.362.001	2	KEY	12x8x30	82	8075.115.000	1	OIL SEAL	OR 3043
29	2008.007.542	1	SHAFT		83	2008.040.041	1	HUB	
30	2008.038.426	1	GEAR		84	8575.291.000	1	PIN	6x40 UN 6874
31	2008.048.676	1	SLEEVE		85	8525.200.000	1	BALL	5/16'
32	8200.264.000	1	BEARING	6208	86	8375.160.000	1	SPRING	
33	8050.448.000	1	OIL SEAL	40x62x10	87	8600.184.000	1	OIL PLUG	1/2" GAS
34	8200.128.000	1	BEARING	6302	88	8075.115.000	1	OIL SEAL	OR 3043
35	8100.222.000	1	SLEEVE	18x20x15	89	2022.007.042	1	HUB	
36	8550.233.000	1	SLEEVE		90	8575.291.000	1	PIN	6x40 Uuri 6874
37	2008.068.426	1	GEAR		91	2008.041.098	1	LEVER	
38	2008.039.076	1	HUB		92	2008.001.101	1	HOUSING	
39	2008.032.042	1	HUB		93	8550.295.000	1	SLEEVE	20x28x0.5
40	8375.080.000	1	SPRING		94	8075.100.000	1	OIL SEAL	OR 109
41	8525.152.000	1	BALL	7/32'	95	2008.046.041	1	PIN	
42	8550.280.000	1	SLEEVE	20x23x15	96	8025.139.000	1	SNAPRING	D14E DIN471
43	2008.069.426	1	GEAR		97	8075.054.000	2	OIL SEAL	2056
44	2008.015.542	1	SHAFT		98	2008.011.098	1	LEVER	
45	8200.164.000	1	BEARING	6004	99	8575.275.000	2	PIN	5x20 UN 1707
46	8600.438.000	1	OIL PLUG	RCA40	100	8600.390.000	2	OIL PLUG	RCA 35x8
47	8200.208.000	1	BEARING	HK3012	101	8600.210.000	1	OIL PLUG	D22
48	8550.366.000	1	SLEEVE		102	2022.005.032	2	LEVER	
49	8025.302.000	1	SNAPRING	D30 E	103	8050.008.000	1	OIL SEAL	8x22x7
50	2008.016.542	1	SHAFT		104	8575.394.000	1	PIN	8x40
51	8125.300.000	1	KEY	10x8x25	105	2008.127.341	1	EXTENSION	
52	2008.033.426	1	GEAR		106	8675.186.100	4	SCREW	M8x20 UN57
53	8200.192.000	1	BEARING	6205	107	8550.295.000	2	SLEEVE	20x28x0.5
54	8550.300.000	1	SLEEVE	20x35x1					