

PX240 Power Units



Features/Benefits

Case IH Irrigation Power Units are O.E.M. designed, tested and manufactured.

Case IH irrigation power units offer a total value CNH engine package — a combination of quality, value, availability and warranty that few can match.

All Irrigation Power Units are designed, balanced and tested to give you unparalleled fuel efficiency and dependability. All units are factory tested before shipment to insure optimum quality and performance.

All units feature a front radiator that is covered and surrounded by a protective shroud.

The PX240 power unit features the following optional equipment:

- Steel battery cables
- Steel battery trays
- Long hood
- Double sheave front crankshaft pulley

All optional equipment is available from the factory or installed by your Case IH dealer.

All units come with a 2 year/2,000 hour warranty, which ever occurs first.

The PX240 irrigation power unit meets Tier II EPA, CARB & EU Emissions Standards.

All units are painted with a factory proven dry coat paint finish to protect against fading and damage from the weather elements.

Your Case IH dealer can help you maintain your power unit through regular oil changes and by performing the required maintenance checks. You can also order Original Equipment Manufacturer (O.E.M.) repair parts for your Irrigation Power Unit from your Case IH dealer.

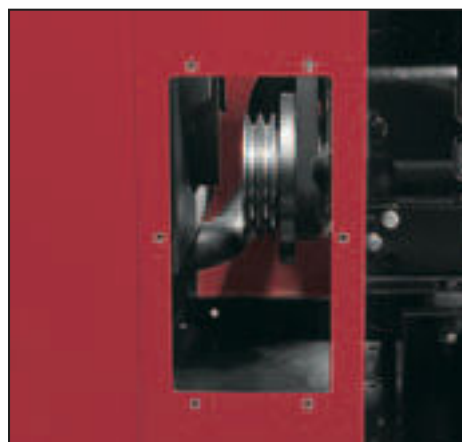
Case IH Irrigation Power Units offer O.E.M. quality that's better than the competition. Case IH power units are produced in a manufacturing setting that uses strict processes, consistent use of components and stringent quality controls.

Continuous Horsepower Ratings

	2200 RPM	2000 RPM	1800 RPM
Rated Gross Power - kW (hp)	179 (240)	192 (257)	188 (252)
Rated Torque - Nm (lb/ft)	277 (573)	914 (674)	995 (734)
Fuel Consumption BSFC - g/kW-hr (lb/hp-hr)	239 (0.393)	226 (0.372)	217 (0.357)
Fuel Consumption - gal./hr. (L/hr.) (assuming fuel density of 835 kg/m ³)	13.53 (51.2)	12.08 (45.7)	12.63 (47.8)
Net Power (less optional equip.) - kW (hp)	169 (226)	184 (247)	183 (245)
Peak Torque @ rpm - Nm (lb-ft)	1116 Nm (823 lb-ft) @ 1500		
Altitude capability without derating - m (ft)	3050 (10,000)		



Removeable access panel for radiator and charge air cooler cleaning.



Removeable access panel for side mount generator applications.



Engine ISO mounts.

PX240 Specifications

Engine Model/Manufacturer	6TAA-830/CNH Engine Corp.
Engine Type	6 Cyl., 2 valve, turbocharged/charge air cooled
Engine Displacement	8.3 litres (504.5 cu. in.)
Bore and Stroke	114 x 135 mm (4.49 x 5.32 in.)
Compression Ratio	18.0:1
Engine Configuration	6 cylinder, in line, four stroke cycle (firing order 1, 5, 3, 6, 2, 4)
Description	Turbocharged, compression ignition, direct injection from in-line mechanical Robert Bosch injection pump
Governor Breakaway	2275 rpm +/- 25 rpm
Governor Regulation	8% +/- 1 %
High Idle Speed	2460 +/- 60 rpm
Low Idle Speed	1000 rpm +/- 100 rpm
Nominal Power Developed	240 hp (179 kW) @ 2200 rpm
Nominal Max Torque	823 ft.-lbs. (1116 Nm) @ 1500 rpm
Altitude Capacity	10,000 ft. (3,050 m)
Engine Certification	Tier 2, US EPA heavy-duty non-road emissions Stage IIIA, EU heavy-duty non-road emissions and California Air Resources Board (CARB)

Standard Equipment

Air cleaner; two stage
 Air cleaner restriction indicator
 Alternator: 12 volt, 65 amp
 Belt guards
 Charge air cooler (CAC)
 Cooling system (good to 123° F with 50/50 coolant)
 Curved exhaust stack
 Engine cooling fan
 Engine lifting brackets
 Engine sub base
 Exhaust adapter with rain drain
 Fuel filter w/water separator
 Fuel lift pump
 Grill screen
 Instrument panel
 Oil pressure gauge with low pressure shutdown
 Coolant temperature gauge w/high temp. shutdown
 Hourmeter
 Voltmeter
 Key switch
 Emergency stop button
 Push button safety system override
 Tachometer
 Jump start protection on starter solenoid
 Latching front cover
 Low coolant level shutdown
 Low oil shutdown

Standard Equipment (continued)

Positive deaeration system
 PTO over-center clutch, 11.5 in., dual plate
 PTO clutch manual
 Radiator
 Safety decal
 Sheet metal housing w/forward hood
 Starter: 12 volt
 Combination operator's & parts manual
 Vernier self-locking throttle control

Optional Equipment

2 groove V-belt pulley for front crank
 Rear hood
 Spark arrestor
 Steel battery tray
 Steel battery cables

Weight (Dry)

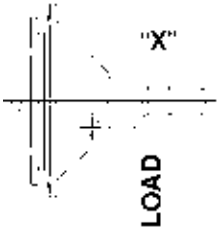
w/Rear hood..... 1,965 lbs. (891.3 kg)
 w/o Rear hood..... 1,905 lbs (864.1 kg)

Dimensions

Height to top of hood 51.4 in. (1306 mm)
 Overall height 78.2 in. (1985 mm)
 Height to PTO shaft..... 17.1 in. (434 mm)
 Skid width..... 37 in. (940 mm)
 Skid length 72.6 in. (1844 mm)
 Overall length 92.7 in. (2355 mm)

PX240 Power Units

ALLOWABLE SIDE-PULL LOADS – FOR STANDARD POWER TAKE OFFS



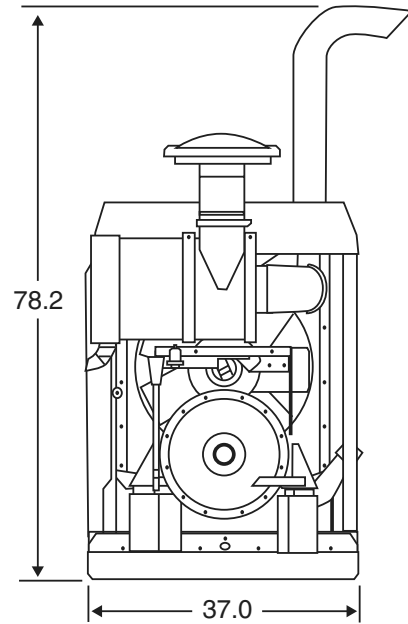
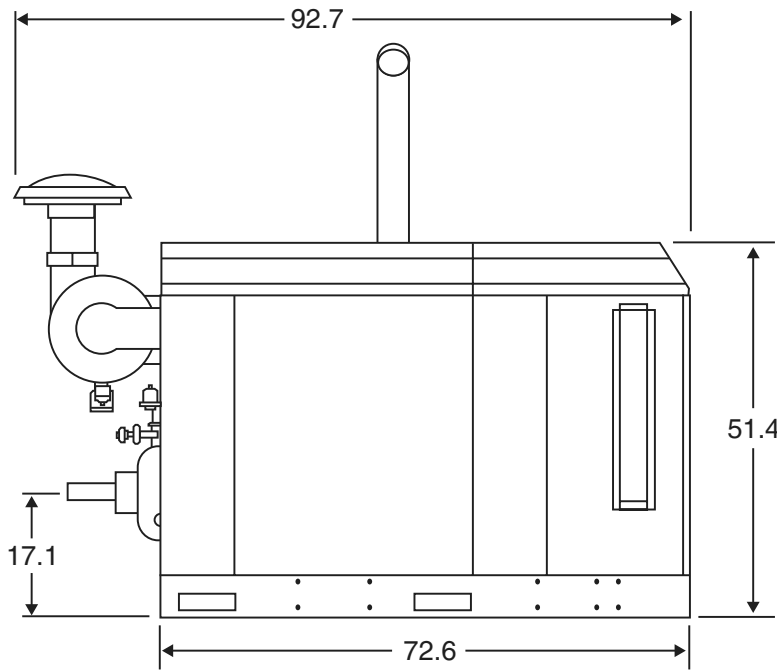
The following general information should be used for determining the actual applied load:

$$L = \frac{126,000 \times \text{HP}}{N \times D} \times F$$

Where: L = ACTUAL APPLIED LOAD (LBS.)
 N = SHAFT SPEED (REV./Min.)
 D = PITCH DIA. OF SHEAVE, ETC.
 F = LOAD FACTOR*

- 1.0 FOR CHAIN OR GEAR DRIVE
 - 2.5 FOR ALL V-BELT DRIVES
 - 3.5 FOR FLAT BED
- * NOTE: RECIPROCATING COMPRESSORS AND OTHER SEVERE SHOCK DRIVES, MULTIPLY THE ABOVE FACTORS BY 2.1

CLUTCH SIZE	RPM	"X" DISTANCE INCHES (SEE SKETCH)						POWER UNIT MODEL APPLICATION
		1	2	3	4	5	6	
11.5 in.	1000	4540	3395	2710	2255	1930	1690	PX240
11.5 in.	1200	4370	3395	2710	2255	1930	1690	
11.5 in.	1800	3900	3395	2710	2255	1930	1690	
11.5 in.	2400	3550	3330	2710	2255	1930	1690	



SOLD AND SERVICED BY:

